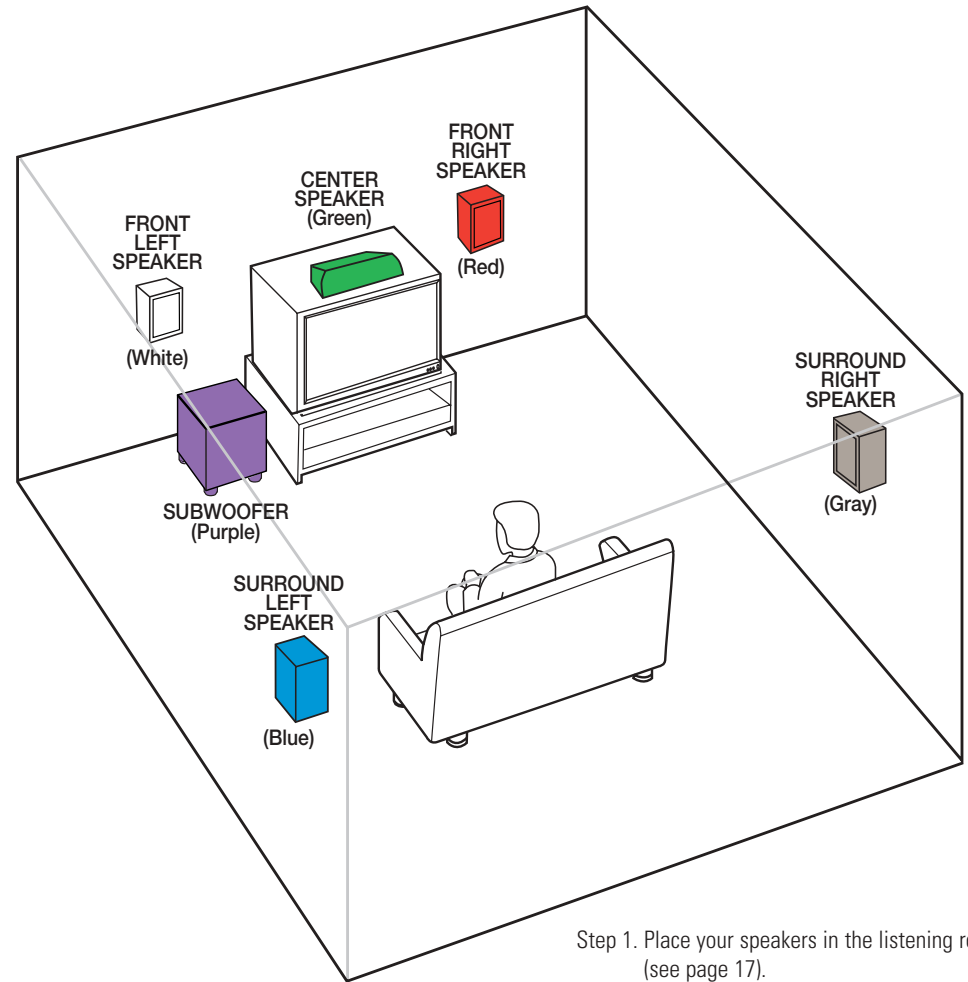


Thank you for purchasing a JBL AVR480. This Quick-Start Guide will help you with a basic system installation. For detailed information on any step in this Guide, please refer to the pages referenced in the Owner's Manual. We strongly recommend that you read the Owner's Manual for complete details on how to install, configure and operate the AVR480, as well as for the important safety information it contains.

FIGURE 1 - SPEAKER PLACEMENT

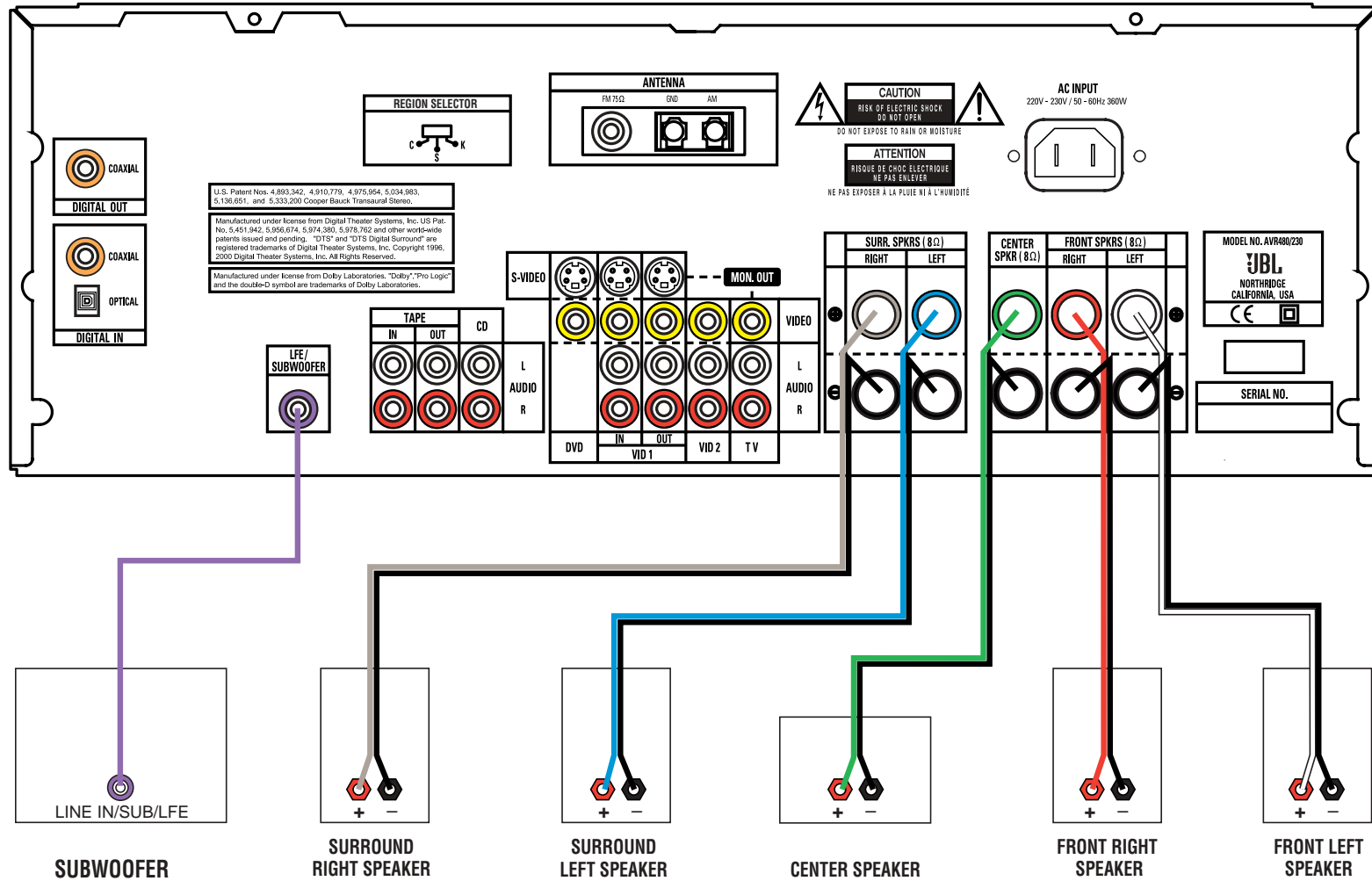
The colors shown for each speaker correspond to the matching output terminal connection on the back of the AVR480 (see page 10).



Step 1. Place your speakers in the listening room (see page 17).

CONNECTIONS COLOR GUIDE		
Audio Connections	Left	Right
Front		
Center		
Surround		
Subwoofer		
Digital Audio Connections		
Coax		
Optical		
Video Connections		
Composite		
S-Video		

Match the colored jacks on the AVR480 to the appropriate jacks on your source equipment or speakers. The colors are standardized, but not all equipment or connectors use them.



Step 2. Connect the speakers to the receiver: red (+) on speaker to colored (+) on receiver and black (-) to black (-). (See page 15.)

Step 3. Connect the Subwoofer Pre-Out jack to the Line-In jack on your subwoofer (see page 16). You may adjust the settings on the subwoofer later as needed.

FIGURE 2 - SPEAKER CONNECTIONS

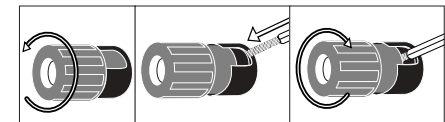


FIGURE 3 - HOW TO USE THE BINDING-POST SPEAKER TERMINAL

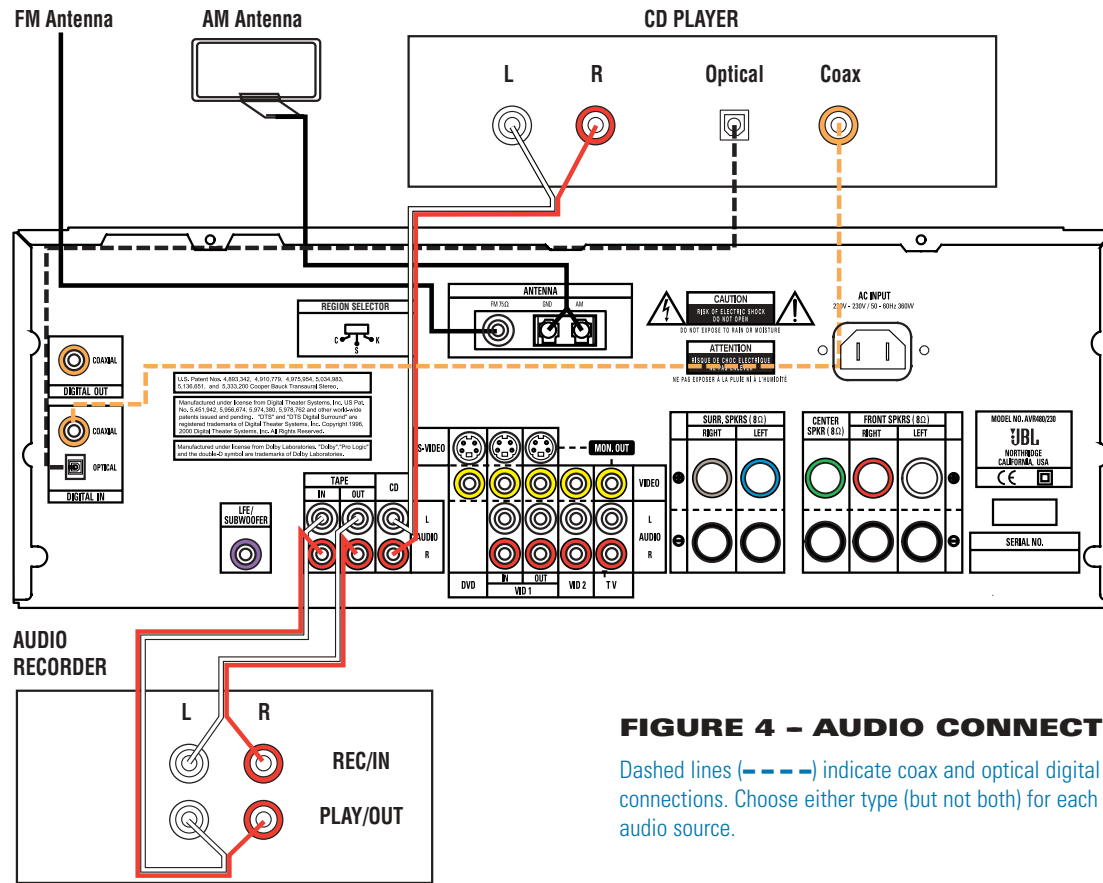


FIGURE 4 - AUDIO CONNECTIONS

Dashed lines (---) indicate coax and optical digital audio connections. Choose either type (but not both) for each digital audio source.

Step 4. Connect AM and FM antennas (Figure 4). (See page 15.)

Step 5. Connect source components, as shown in Figures 4 and 5, and in the Device Connection Options chart on the back of this Guide (see pages 15–16).

AUDIO connections: Right channel (red) on source to right (red) on AVR, and left channel (white) on source to left (white) on AVR.

DIGITAL AUDIO connections, if available: Choose either coax (orange) to coax (orange) OR optical to optical for each device. The Coax input defaults to the DVD player, but may be reassigned. Assign the other digital input and output as appropriate for your equipment (see Step 8).

VIDEO connections: If available, connect your source device's component (Y/Pb/Pr) video outputs directly to your TV's component video inputs. Otherwise, choose either composite (yellow) or S-Video (4-pin) for each video source. Connect the composite and S-Video Monitor outputs to your Video Monitor (TV). Switch your TV set's input to match the type of video used for the currently selected source.

Step 6. **Region Selection:** Set the Region Selector to "K" for South Korea. Set it to "C" for China or Hong Kong. Set it to "S" for Singapore, Malaysia, Indonesia or Thailand. (For other countries, please consult your local JBL distributor.) The Main Power Switch (*not* just Standby) must be turned off, then on again, in order for this selection to take effect (see page 31).

Step 7. Depending on the electrical requirements in your area, you may need to contact your JBL dealer to obtain the correct power cord. Plug all components into AC power outlets.

Basic Receiver Configuration

Step 8. **Select digital inputs:** If your DVD is connected to the Coax input, no adjustment is needed. For another digital device, use the front-panel Digital Select button and the arrow buttons to select the optical digital input (see pages 18 and 27).

Step 9. **Select a surround mode:** Press the Surround Mode button on the front panel to select Dolby® Pro Logic® II – Movie. (You may select other modes later as you become familiar with the AVR480; see pages 25–29.)

Step 10. **Configure speakers:** No action is needed if you have five "small" satellite-type speakers and a subwoofer. Otherwise, press the Speaker button and then the Set and arrow buttons to select the correct speaker choices for your system (see pages 19–20).

Step 11. **Set output levels:** Set the Balance to 12 o'clock, and the Volume to –15dB. Sit in the listening position and press the Test button on the remote. The Test tone (it sounds like static) will circulate from speaker to speaker. Press the up/down arrow keys to adjust the level of each speaker until they all sound the same. If you have an SPL meter, set it to 75dB, C-Weighting Slow. Press the Test button again. (See pages 22–23.)

Step 12. Your system is configured – sit back and enjoy!

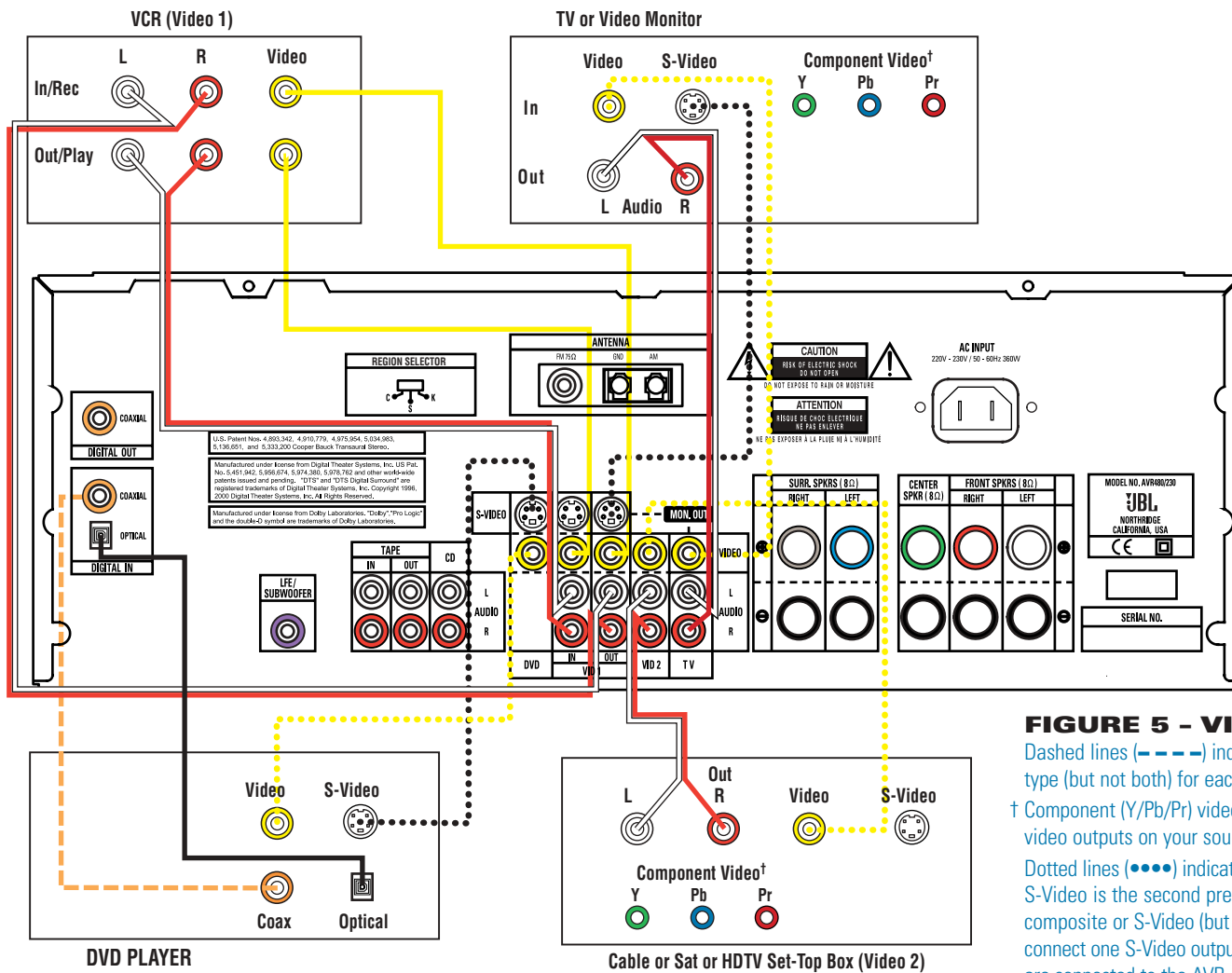


FIGURE 5 - VIDEO CONNECTIONS

Dashed lines (---) indicate coax and optical digital audio connections. Choose either type (but not both) for each digital audio source.

† Component (Y/Pb/Pr) video connections are preferred; if available, connect the component video outputs on your source device directly to the component video inputs on your TV.

Dotted lines (••••) indicate composite or S-Video connections for your DVD or VCR. S-Video is the second preferred connection when available, but you may use either composite or S-Video (but not both). If you have two source devices with S-Video, you may connect one S-Video output directly to the TV. When both composite and S-Video sources are connected to the AVR, you must also connect both outputs from the AVR to your TV.

Device	Input Name	Audio Input Connections	Audio Output Connections	Video Connections
CD Player	CD	CD, Optical Digital	Not required	Not required
DVD Player	DVD	Coaxial Digital	Not required	DVD Composite or S-Video
VCR	Video 1	Video 1 L/R Inputs	Video 1 L/R Outputs	Video 1 Composite or S-Video Input and Output
Cable Box or Satellite Receiver	Video 2	Video 2 L/R Inputs, Optical or Coaxial Digital Input*	Not required	Video 2 Composite Input
Audio Recorder	Tape	Tape L/R Inputs, Digital Coaxial Input**	Tape L/R Outputs, Digital Coaxial Output**	Not required
TV or Projector	TV	TV L/R Inputs	Not required	Monitor-Out Composite and/or S-Video

* Check with your cable service provider to determine whether digital audio is available for all channels. It may be necessary to make BOTH analog and digital connections if it is not. ** Digital audio recorders only.